



WK-010

This controller suitable for:

- **Ultranixx**
Ultranixx Eco

Smart control :

- Advanced algorithms make smart switch between heat pump and gas furnace, to utilize the more efficient heat source

Multi functions :

- ERV
Humidity
Dehumidity

Key strengths :

- WiFi control with Kinghome app
- Master thermostat installed at indoor unit allows faster and simpler installation and commissioning
- Homeowner use color touchscreen display to easily control the system.
(Master thermostat can also control the system)
- Easy wiring : typically, older home thermostats used only four wires and upgrading to a new thermostat required more wires to be added to connect a thermostat, no wiring extender needed.
Only four wires needed between two thermostat

7" Color Touchscreen Display



Master Thermostat



Note: All 24volts furnace or air handler are compatible with the WK-010 using standard algorithm

Job Name:

Schedule Reference:

Date:

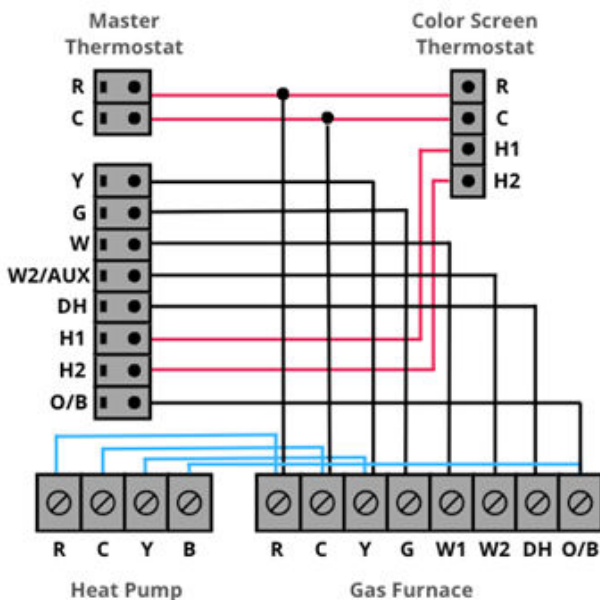
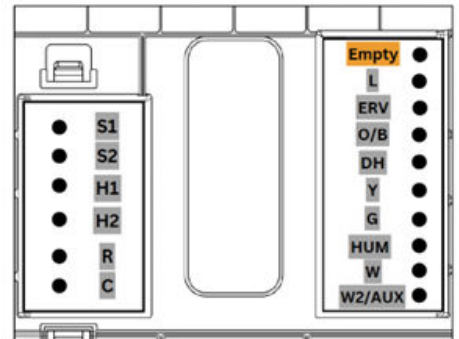
Specification are subject to change without notice.

WK-010

No.	Terminal	Instruction
1	L	System refrigerant leaking signal input (For R32 & R454B)
2	O/B	4-way valve is energized in cooling(O)/ heating(B)
3	DH	Dehumidify signal
4	Y	Outdoor compressor gear
5	G	Indoor fan
6	HUM	Humidify signal
7	W	Heating device (1 stage)
8	W2/AUX	Heating device (2 stage) or electric heating
9	C	24V Common wire
10	R	24V Power supply
11	H1/H2	RS485 communication
12	S1\S2	Extended temperature sensor interface for detecting outdoor ambient temperature.
13	ERV	ERV signal

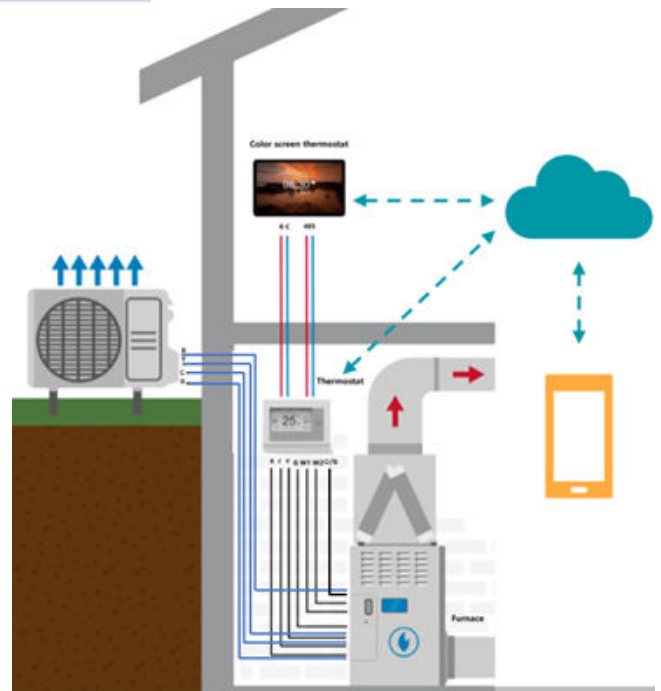
Master Thermostat

Terminals



Note: Energization type of 4-way valve:

- "O" is applicable for the unit which operates under the cooling mode and its 4-way valve is energized;
- "B" is applicable for the unit which operates under the heating mode and its 4-way valve is energized.
- S1/S2 : Optional outdoor sensor (15kohms)

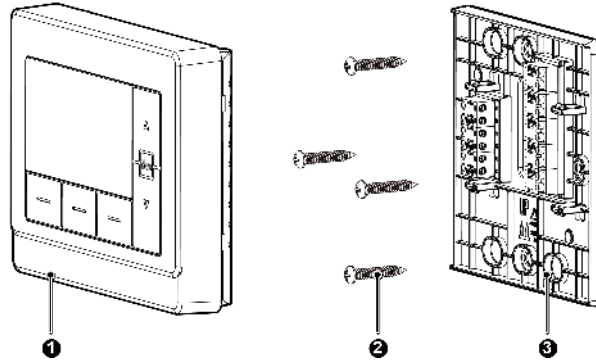
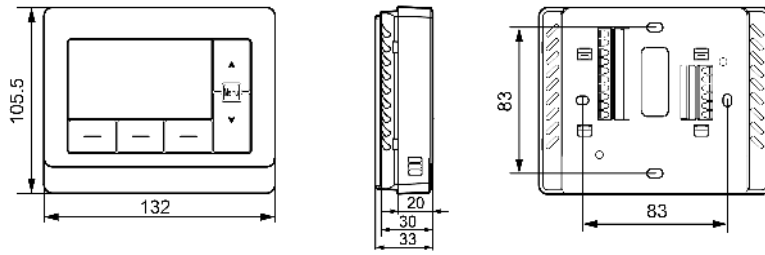


Job Name:

Schedule Reference:

Date:

Dimension and Components of ThermostatvWK-010C1



Unit: